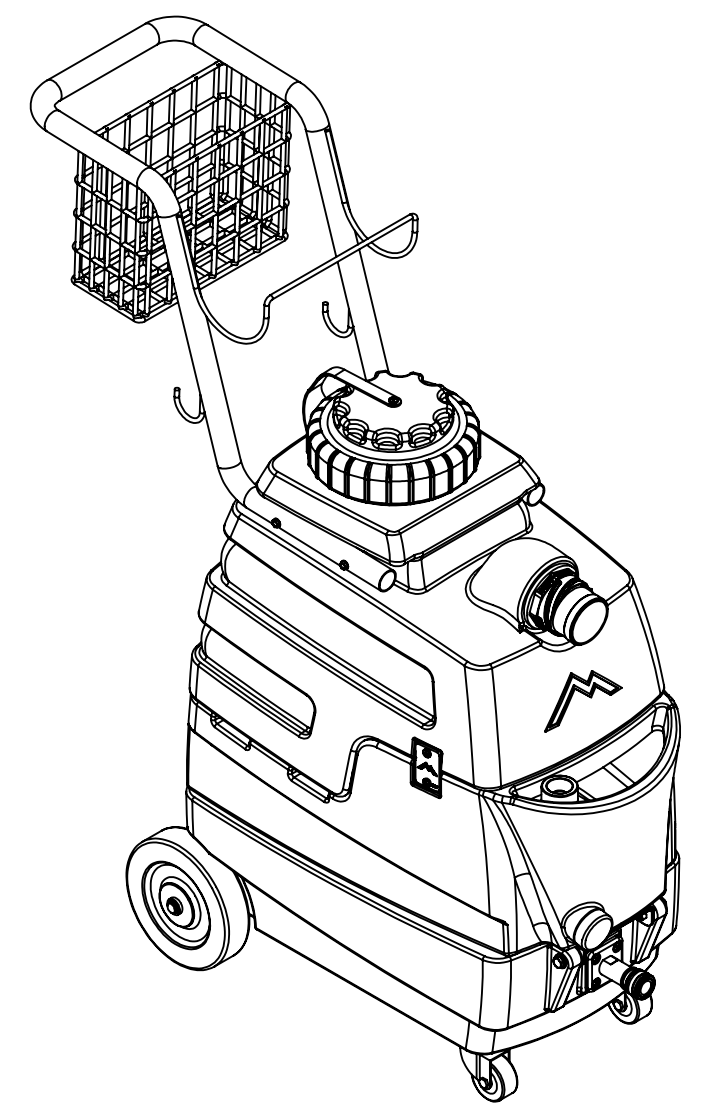


ITEM NO.	PART NO.	DESCRIPTION	QTY.	MSRP
1	H135	Cuff-Lynx, 2" m cuff x 2" mpt	1	\$3.99 ea
2	P583	vac tank, MyteeLite	1	\$159.99 ea
3	H312	plate, connecting, MyteeLite	4	\$6.99 ea
4	H230	screw, 10-32 x 1/2" phil pan head, s/s	28	\$0.99 ea
5	G036	cap, 2.5" threaded, tethered	1	\$3.49 ea
6	H131	plastite screw, 10 x 1-1/2"	4	\$1.99 ea
7	H688-A	handle, MyteeLite	1	\$65.99 ea
8	G055	tether, cap, 6 1/2"	1	\$12.99 ea
9	P560	cap, 6", threaded	1	\$23.99 ea
10	G031	gasket, 3.25" i.d. x 5.88" o.d.	1	\$6.99 ea
11	G022	filter, foam, 2-3/8" x 1"	1	\$2.99 ea
12	G021	screen, mesh filter, 2-3/8" dia	1	\$4.99 ea
13	H203	bolt, 1/4-20 x 1-1/4" hex head, s/s	2	\$0.99 ea
14	H210	washer, 1/4" flat, s/s	6	\$0.99 ea
15	H216	nut, lock, 1/4-20, nylon insert, s/s	2	\$0.99 ea
16	H213	washer, 1/4" lock, s/s	2	\$0.99 ea
17	H201	bolt, 1/4-20 x 1/2" hex head, zinc	2	\$0.99 ea
18	H846B	cap, gallon jug, 1-5/8"	1	\$0.99 ea
19	H379	bracket, front, small	1	\$3.99 ea
20	B119	filter, strainer, 1/4"	1	\$3.99 ea
21	P584	sol tank, MyteeLite	1	\$149.99 ea
22	G004	gasket, vacuum motor	2	\$8.99 ea
23	C302P	vac motor	1	\$148.99 ea
24	H178	faucet fill	1	\$10.99 ea
25	PH612-53	clear tubing, 1/2" OD x 3/8" ID, faucet fill	1	\$1.99 ft
26	H681	caster, 2", black hub, gray tread	2	\$8.99 ea
27	H273	nut, kep, #10-32 zinc	15	\$0.99 ea
28	P585	base, MyteeLite	1	\$89.99 ea
29	H212	flat washer, 9/16"ID x 1 1/16"OD	4	\$0.99 ea
30	H427	washer, wave, axle	2	\$1.49 ea
31	H279	wheel, 6"	2	\$25.99 ea
32	H042	c-clip, 12mm, external	2	\$0.99 ea
33	H254	washer, axle, cut 1/2" id	2	\$0.99 ea
34	H241	axle, 13.63" x .50" dia	1	\$15.99 ea
35	H343	screw, 10 x 5/8" hex head, zinc	4	\$0.99 ea
36	E515	switch, rocker, 2 position	3	\$13.99 ea
37	E532	power cord, end, 25', 14/3	1	\$44.99 ea
38	H856	fitting, strain relief, 3/8" mpt, w/spring	1	\$8.99 ea
39	H310	plate, switch, MyteeLite, 3 hole	1	\$6.99 ea
40	H221	nut, lock, 1/2" steel	1	\$1.99 ea
41	H486	latch, front	1	\$13.99 ea
42	G068	bumper, 7/8" x 1/4" head	2	\$1.99 ea
43	H256	screw, 10-32 x 3/4" phil pan head, zinc	2	\$0.99 ea
44	B136	elbow, brass, 90 deg, 1/4" mpt x 1/4" mpt	3	\$4.99 ea
45	AH157	hose, 3/8" x 9" (OAL), f x fsw	1	\$25.99 ea
46	B105	bushing, brass, 3/8"mpt x 1/4"	2	\$3.19 ea
47	C305	pump, 120 psi, 115V	1	\$151.99 ea
48	B170	ferrule, 1/4" brass	2	\$0.99 ea
49	PH634-13	sol hose, 1/4" silicone braided, clear	1	\$6.49 ft
50	B107	nipple, brass, 1/4"m, hex	2	\$3.19 ea
51	B103	elbow, brass, 90 deg, 1/4"mpt x 1/4" fpt	1	\$4.49 ea
52	H222	screw, 10-32 x 1-1/4" phil pan head, s/s	2	\$0.99 ea
53	B207	elbow, brass, 90 deg, 1/4" fpt x 1/4" fpt	2	\$5.99 ea
54	B108	valve, brass, 1/4" check	1	\$13.99 ea
55	H903A	heater, aluminum cast, single	1	\$78.99 ea
56	E519	heating rod, 1000W, 115V	1	\$51.99 ea

ITEM NO.	PART NO.	DESCRIPTION	QTY.	MSRP
57	E573	Thermostat, 200°, Auto, 1/4"	1	\$16.49 ea
58	E574	Thermostat, 310°F ± 10°F, Manual, 1/4"	1	\$17.99 ea
59	H274	screw, 6 x 3/16, phil pan head, self-tapping	5	\$0.99 ea
60	AH184	hose, pulse, 3/8" x 14-1/2" (OAL), f	1	\$27.99 ea
61	B130	45 deg, street elbow, brass, 1/4" male	1	\$5.49 ea
62	H484	plate, mounting, QD	1	\$4.99 ea
63	B102	qd, brass, 1/4" f	1	\$17.99 ea

**ITEMS NOT SHOWN**

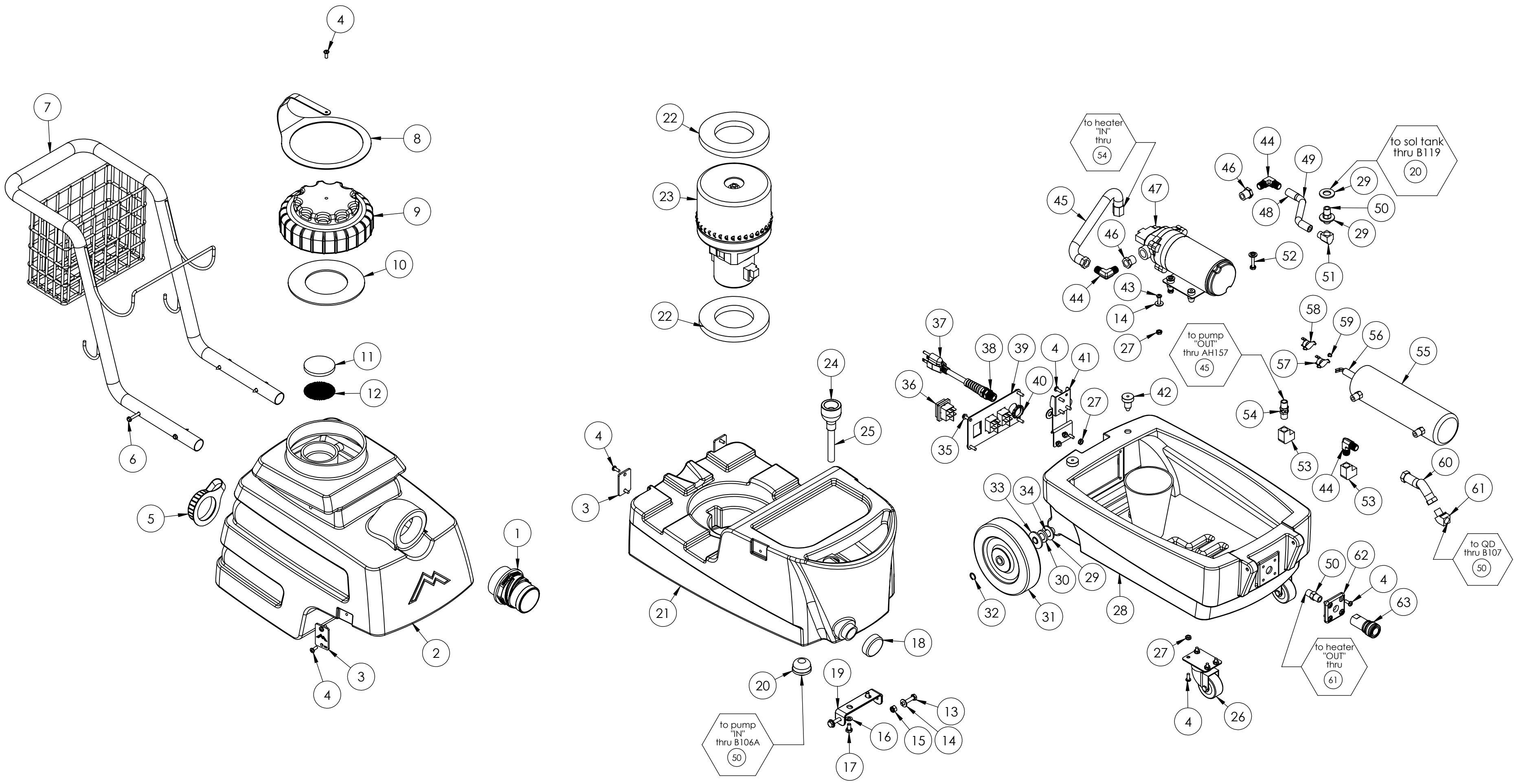
PART NO.	DESCRIPTION	QTY.	MSRP
B101	quick disconnect, male, 1/4" male x 1/4" fpt	2	\$8.49 ea
B102	quick disconnect, 1/4" female x 1/4" fpt	1	\$17.49 ea
A942	sol hose, 1/4" x 16' 1", 3000 max psi	1	\$71.99 ea
G147	strap, velcro, w/buckle	6	\$3.99 ea
A935	sol hose, pigtail, 1/8 x 7 1/2	1	\$14.99 ea
H701	hose, vac, 15' x 1-1/4" w/ 1 1/2 black cuffs	1	\$43.99 ea
H282	tool, upholstery w/valve	1	\$98.99 ea
H122	Cuff-Lynx, 1.25" hose cuff x 2" female cuff	1	\$3.99 ea
ADM-CUFF-LYNX	instruction giude, Cuff-Lynx	1	
AD127	stop sign, register your product	1	
ADM-8070	manual, Mytee-Lite	1	



NAME	DATE	<b>MYTEE PRODUCTS, INC.</b> 858-679-1191	
DRAWN M.LaBarbera	1/2014	TITLE: <b>MyteeLite II (2014)</b>	
CHECKED		SIZE DWG. NO.	REV
COMMENTS:		<b>C</b>	<b>B</b>
<small>PROPRIETARY AND CONFIDENTIAL</small> <small>THE INFORMATION CONTAINED IN THIS DRAWING IS THE SOLE PROPERTY OF MYTEE PRODUCTS, INC. ANY REPRODUCTION IN PART OR AS A WHOLE WITHOUT THE WRITTEN PERMISSION OF MYTEE PRODUCTS, INC. IS PROHIBITED.</small>		SCALE: 1:24	DO NOT SCALE DRAWING
		SHEET 1 OF 3	

8 7 6 5 4 3 2 1

F E D C B A



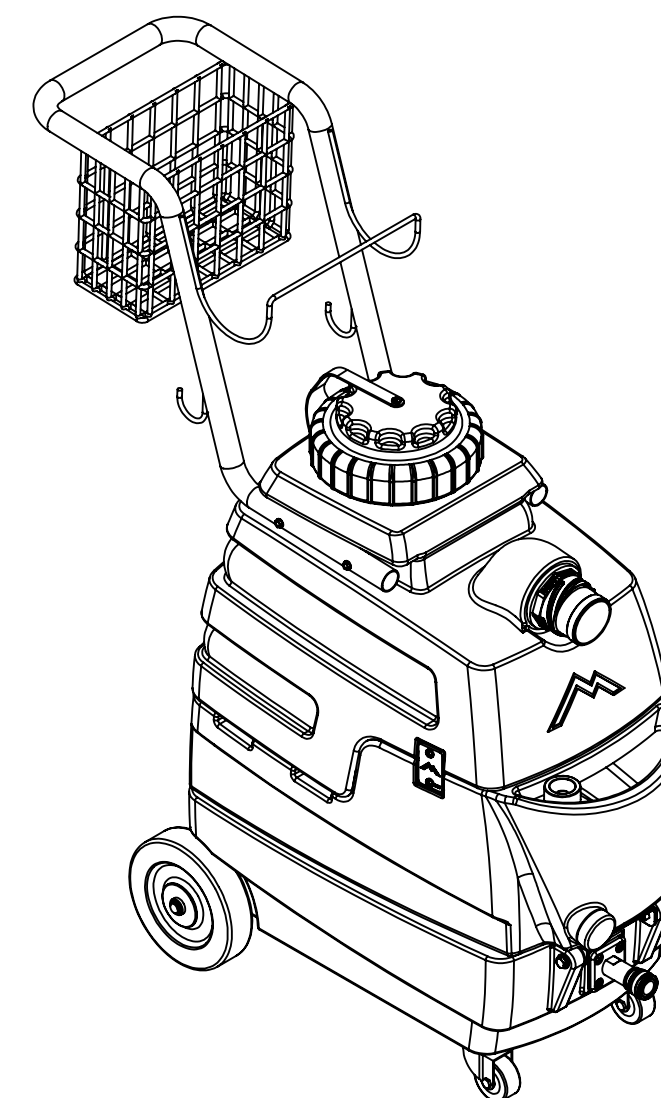
	NAME	DATE	<b>MYTEE PRODUCTS, INC.</b> 858-679-1191	
DRAWN	M.LaBarbera	1/2014	TITLE: <b>MyteeLite II (2014)</b>	
CHECKED			SIZE	DWG. NO.
COMMENTS:			<b>C</b>	<b>8070</b>
PROPRIETARY AND CONFIDENTIAL THE INFORMATION CONTAINED IN THIS DRAWING IS THE SOLE PROPERTY OF MYTEE PRODUCTS, INC. ANY REPRODUCTION IN PART OR AS A WHOLE WITHOUT THE WRITTEN PERMISSION OF MYTEE PRODUCTS, INC. IS PROHIBITED.			SCALE: 1:24	DO NOT SCALE DRAWING
			SHEET 2 OF 3	REV <b>B</b>

8 7 6 5 4 3 2 1

A

**REVISIONS**

REV.	DESCRIPTION	DATE	APPROVED
OD	ORIGINAL DRAFT	1/3/2014	JFL
A	G004A REPLACED WITH G004	3/19/2014	ML
B	ADDED H212 AND B170	3/19/2014	ML



	NAME	DATE	<b>MYTEE PRODUCTS, INC.</b> 858-679-1191	
DRAWN	M.LaBarbera	1/2014	TITLE: <b>MyteeLite II (2014)</b>	
CHECKED			SIZE DWG. NO.	REV
COMMENTS:			<b>C</b>	<b>B</b>
<b>PROPRIETARY AND CONFIDENTIAL</b> THE INFORMATION CONTAINED IN THIS DRAWING IS THE SOLE PROPERTY OF MYTEE PRODUCTS, INC. ANY REPRODUCTION IN PART OR AS A WHOLE WITHOUT THE WRITTEN PERMISSION OF MYTEE PRODUCTS, INC. IS PROHIBITED.			SCALE: 1:24	DO NOT SCALE DRAWING SHEET 3 OF 3